



VORTEX
venting solutions / solutions d'évents

Double Wall Black Connector Pipe

Close Clearance Connector Pipe
Solid fuel

INSTALLATION INSTRUCTIONS

A MAJOR CAUSE OF CHIMNEY RELATED FIRES IS FAILURE TO MAINTAIN REQUIRED CLEARANCES (AIR SPACES) TO COMBUSTIBLE MATERIALS. IT IS OF THE UTMOST IMPORTANCE THAT THIS DOUBLE WALL CONNECTOR PIPE BE INSTALLED ONLY IN ACCORDANCE WITH THESE INSTRUCTIONS.

This Close Clearance Connector Pipe meets the requirements of the NFPA 211, CSA B365 and ULC S641 Standards.

Read through these instructions before beginning your installation. Failure to install according to these instructions will void the manufacturer's warranty and may have an effect on your homeowner's insurance and ULC Listing status.

READ AND KEEP THIS MANUAL FOR REFERENCE

INTENDED USE OF PRODUCT

This close clearance connector is intended for use with solid fuel, fired appliances, including wood stoves, freestanding fireplaces and furnaces. It may be used in any instance where single wall stovepipe is called for.

LISTED CLEARANCE

Vortex Double Wall Connector Pipe was tested and Listed following the ULC standards as a close clearance connector pipe between (listed) appliance and chimney. The minimum clearance from pipe to combustible material is 6 inches to combustible side walls and 6 inches to combustible ceilings. If the assembled pipe sections has no adjustable length, the clearances to combustible side walls and to combustible ceilings may be reduces to 5 inches.

CLEARANCE COMPATABILITY

Solid fuel appliances have a minimum clearance to combustible construction. The minimum clearance on the appliance must be adhered to. If two clearances are in conflict, always use the larger clearance distance. Certain applications, such as mobile homes, sometimes require clearances greater than 6 inches.

PERMITS

Contact local Building and Fire Officials about permits, restrictions and installation inspection in your area.

RECOMMENDATIONS & LIMITATIONS

- Every wood burning stove requires its own separate connector. Connect only one solid fuel burning appliance to a chimney. Do not connect an oil or gas burning appliance to a chimney venting a solid fuel burning appliance.
- Choose a stove that is listed by an accredited testing agency.
- For installation and operation, follow the stove manufacturer's instructions and safety manual for maximum efficiency and safety. Over firing can damage both stove and double wall connector pipe. Be certain to maintain required clearances to combustible materials.
- Burn only the fuels your stove is designed to burn according to the manufacturer's instructions and safety manual.
- Do not burn sea driftwood, treated lumber, or plastic.
- Not all stoves can be used in Mobile Homes. See manufacturer's instructions.
- Do not enclose **Vortex Double Wall connector Pipe**.
- This connector is not a chimney. It must NOT pass through floors, attics, closets, walls, or ceilings.

VORTEX DOUBLE WALL BLACK PIPE
Close Clearance Connector Pipe
PARTS LIST

Part Description	6" Diameter	7" Diameter	8" Diameter
Pipe - 6" Length	VODB0606	VODB0706	VODB0806
Pipe - 12" Length	VODB0612	VODB0712	VODB0812
Pipe - 18" Length	VODB0618	VODB0718	VODB0818
Pipe - 24" Length	VODB0624	VODB0724	VODB0824
Pipe - 36" Length	VODB0636	VODB0736	VODB0836
Pipe - 48" Length	VODB0648	VODB0748	VODB0848
Slip Section - 6" Length	VODB0606SL	N/A	N/A
Slip Section - 12" Length	VODB0612SL	N/A	N/A
Slip Section - 18" Length	VODB0618SL	N/A	N/A
Telescoping Section 18" - 31" Length	VODB06ST	VODB07ST	VODB08ST
Telescoping Section 25" - 50" Length	VODB06MT	VODB07MT	VODB08MT
Telescoping Section 40" - 68" Length	VODB06LT	VODB07LT	VODB08LT
Elbow - 45°, Fixed	VODB0645F	VODB0745F	VODB0845F
Elbow - 90°, Fixed	VODB0690F	VODB0790F	VODB0890F
Tee (with cover)	VODB06T	VODB07T	VODB08T
Masonry Adapter	VODB06MA	N/A	N/A
Vented Stove Adapter	VODB06VSA	N/A	N/A
Stove Adapter	VODB06SA	VODB07SA	VODB08SA
Damper Section	VODB06DS	N/A	N/A
Finishing Band (Trim Plate)	VODB06FB	VODB07FB	VODB08FB
Ceiling Hanger	VODB06H	VODB07H	VODB08H
Reducer - 7" to 6"	(male end - 7")		VODB76
Reducer - 8" to 7"	(male end - 8")		VODB87
Reducer - 8" to 6"	(male end - 8")		VODB86
Increaser - 6" to 7"	(male end - 6")		VODB67
Increaser - 7" to 8"	(male end - 7")		VODB78
Increaser - 6" to 8"	(male end - 6")		VODB68
Oval to Round Adapter	(8" oval flue outlet to 8" round)		VODB08OA

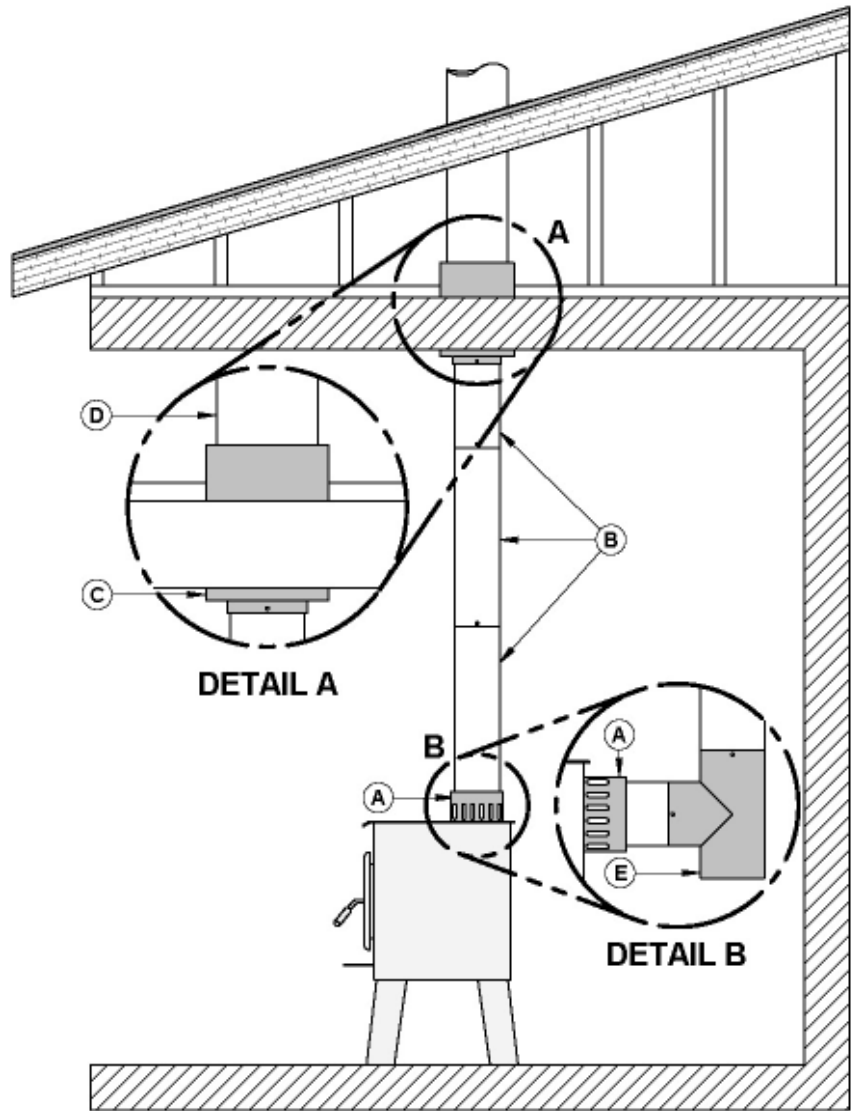
INSTALLATION NOTES

- A. Use only **Vortex Double Wall connector Pipe** and Listed components. Do not mix with other manufacturer's products. Do not install damaged connector pipe or components.
- B. While there is no limitation to the total length of **Vortex Double Wall connector Pipe** that may be used for a single installation, except as stipulated in NFPA 211 (USA) or CSA B365 (Canada), we recommend a maximum of 15' (4.5 m) if there is an offset. Do not exceed 20' (6 m) without offset. It is important to insure that all sections are solidly fastened together and supported as required.
- C. **Vortex Double Wall connector Pipe** is used to connect a solid fuel fired appliance to a factory built or masonry chimney.
- D. The chimney must be installed and connected according to the applicable 2100 insulated chimney manufacturer's Installation Instructions.
- E. In all cases, when pipe is correctly placed and aligned, be sure to securely attach all pipe sections to each other, to the Stove Adaptor, the Tee, Elbow, Wall Thimble, and Ceiling Support connector by drilling at least (3) 1/8" holes and fastening with (3) #8 X 1/2" self-drilling screws in every joint.
- F. A Pipe Hanger (F) must be used for any horizontal run over 4 feet long. Use an additional hanger for every 4 foot section thereafter; i.e. 2 per 8 ft. (2.4 m), 3 per 12 ft. (3.6 m), etc.
- G. The assembly should be as short and direct as possible between the stove and chimney. The use of two 45 degree elbows is often preferable to a single 90 degree elbow because less turbulence is created in the exhaust flow and they result in less horizontal run.

INSTALLATION PROCEDURE

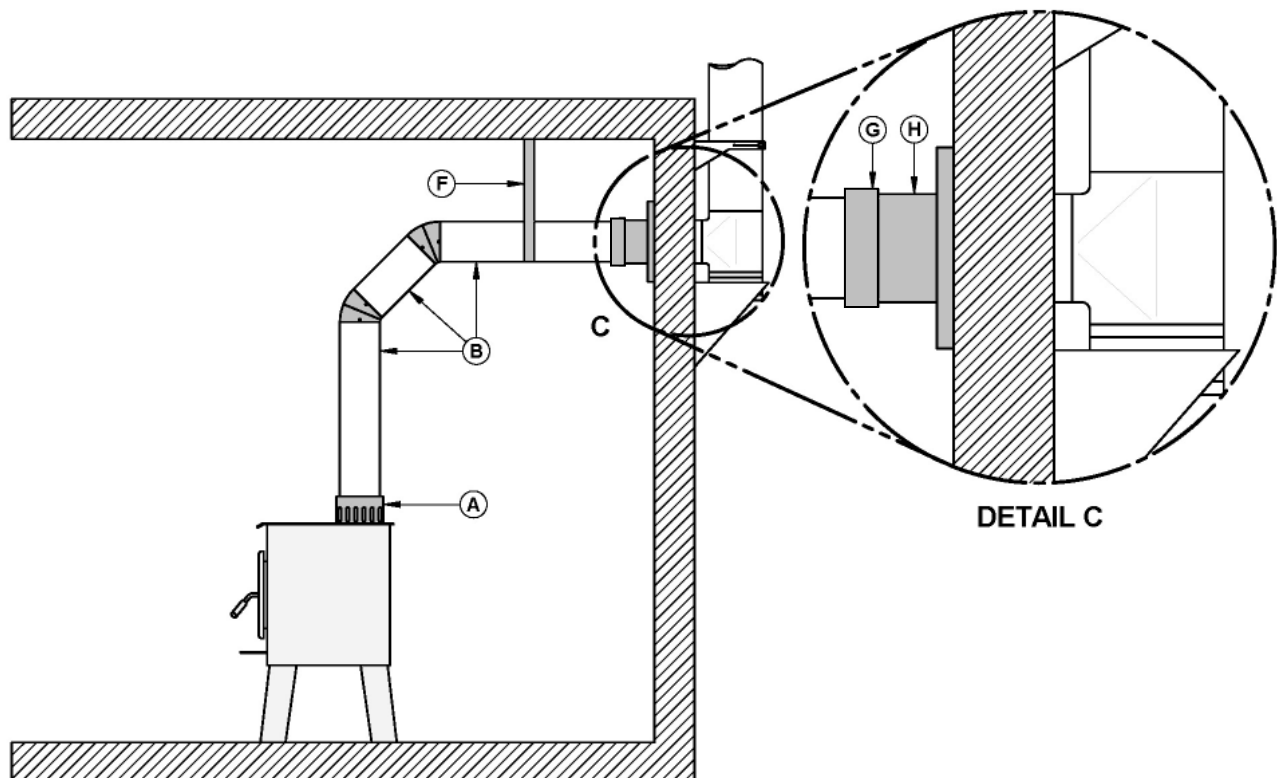
TO-THE-CEILING INSTALLATION

1. Position stove and floor shield to conform to the stove manufacturer's clearance specifications. Position appliance and chimney so as to avoid cutting any ceiling joists, roof rafters, or wall studs.
2. Install ceiling support box (C) according to the installation instructions in your 2100 insulated chimney kit (D).
3. Install the Vortex Double Wall Pipe onto the installed Universal Adapter of the 2100 insulated chimney Pipe that has been securely installed in the ceiling support box. Attach using (3) #8 X 3/4" self-tapping screws (see **Detail A**).
4. Attach Stove Adapter (A) to stove. If needed attach Tee (E) to Stove Adapter using at least (3) #8 X 1/2" self-drilling screws (see **Detail B**).
5. Make sure Stove Adapter and/or Tee align vertically with Universal Adapter.
6. Install Pipe Sections (B), Adjustable Telescoping Sections (B) and/or Slip Section (B) between the Tee/Stove Adapter and Universal Adapter.
7. Fasten all pipe sections together, including Telescoping Sections and Slip Sections with at least (3) #8 X 1/2" self-drilling screws.



TO-THE-WALL INSTALLATION

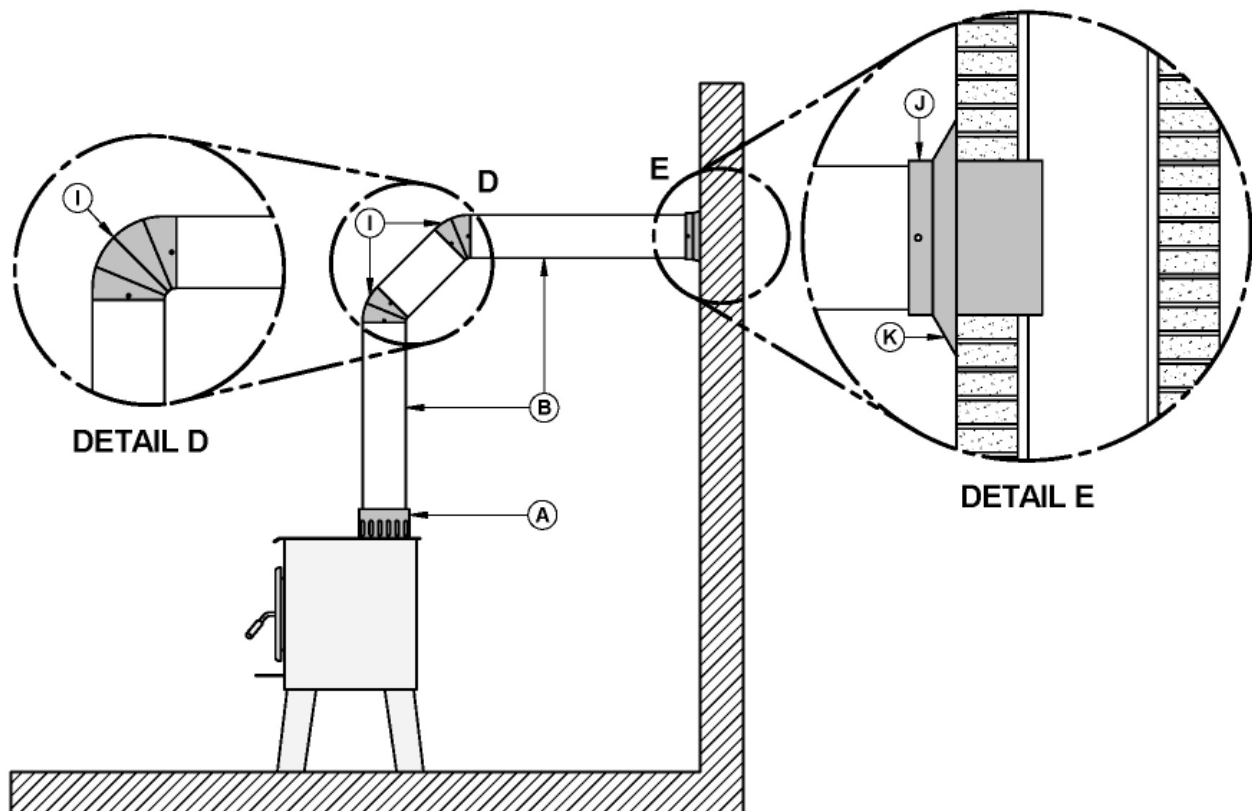
1. Position stove and floor shield to conform to the stove manufacturer's clearance specifications. Position appliance and chimney so as to avoid cutting any ceiling joists, roof rafters, or wall studs.
2. Install Wall Thimble according to the installation instructions in your 2100 Chimney kit.
3. Install the Black Double Wall Pipe onto the installed Universal Adapter (H) of the 2100 insulated chimney Pipe that has been securely installed through the Wall Thimble. Attach using (3) #8 X 3/4" self-tapping screws (see **Detail C**).
4. Slide Finishing Band (G) over Universal Adapter up to end of the Double Wall Pipe (see **Detail C**).
5. Attach Stove Adapter (A) to stove. If needed, attach Tee (E) to Stove Adapter using at least (3) #8 X 1/2" self-drilling screws.
6. Make sure Stove Adapter and/or Tee align vertically and horizontally with chimney adapter.
7. Install Pipe Sections (B), Adjustable Telescoping Sections (B) and/or Slip Section (B) to Tee or Stove Adapter using (3) #8 X 1/2" self-drilling screws.
8. Install two 45° Elbows (I) (recommended installation) or a 90° Elbow (I) (see **Detail D**) to top of pipe section using (3) #8 X 1/2" self-drilling screws.
9. Install a Telescoping Section or a fixed length Pipe Section and Slip Section horizontally between Elbow and Universal Adapter using at least (3) #8 X 1/2" self-drilling screws at each pipe joint. Use a Pipe Hanger (F) if needed.
10. **Fasten all pipe sections together, including Telescoping Sections and Slip Sections with at least (3) #8 X 1/2" self-drilling screws.**



MASONRY CHIMNEY

Have your chimney inspected by a professional chimney sweep or Fire Department Inspector before connecting to it for use. Masonry chimneys should only be used if they are in good condition and have been built according to NFPA 211 (Standard for Chimneys, Fireplaces, Vents, and Solid Fuel-Burning Appliances) in the USA or CSA B365 (Installation code for solid-fuel-burning appliances and equipment) in Canada.

1. There should be a horizontal opening into the chimney through a non-combustible wall. Fit the Masonry Adapter (J) into this hole. Attach the adapter collar (K) to the masonry wall using screws and masonry anchors (not supplied). Seal the joint between the collar and the masonry wall with a high temperature silicone caulking (see **Detail E**).
2. When installing **Vortex Double Wall connector Pipe** into a re-lined masonry chimney, follow the procedure as above, making sure the masonry adapter slides onto the tee take-off by *at least* 2 inches. Firmly attach using 3 self tapping screws or a Quick Connector™ (sold separately).
3. Attach connector pipe to appliance using previous instructions.



VORTEX DOUBLE WALL CONNECTOR PIPE MAINTENANCE

WARNING FOR SOLID FUEL APPLICATIONS

Creosote and Soot-Formation and Need for Removal:

When wood is burned slowly, it produces tar and other organic vapours, which combine with expelled moisture to form creosote. The creosote vapours condense in the relatively cool chimney flue of a slow-burning fire. As a result, creosote residue accumulates on the flue lining. When ignited, this creosote makes an extremely hot fire.

VORTEX DOUBLE WALL CONNECTOR PIPE CLEANING

Access – Double wall connector pipe must be installed so that access is provided for inspection and cleaning.

Schedule – The double wall connector pipe system must be cleaned and inspected on an annual basis by a chimney professional at intervals of no more than 12 months each, starting at the date of purchase. The connector and chimney should be inspected at least once every month during the heating season to determine if a creosote or soot buildup has occurred. If creosote or soot has accumulated, it should be removed to reduce the risk of a chimney fire.

Cleaning – It is recommended to clean thoroughly the double wall connector pipe and chimney after every heating season. During summer, the air is damper and with minimal air circulation within the chimney system, it can mix with creosote and/or soot deposits in the double wall connector pipe and chimney system to form an acid that could accelerate the corrosion process and induce premature decay of the steel. Have your connector and chimney cleaned by a professional chimney sweep. Use a plastic or steel brush.

Chemicals – Do not use chemical cleaners. Their use does not eliminate the need for mechanical cleaning and they may be highly corrosive.

In Case of Fire – If a flue fire occurs, close all appliance draft openings and call your Fire Department. Do not use the appliance again until the chimney, connector and stove have been inspected by a professional chimney sweep and/or Fire Department Inspector.

VORTEX LIMITED LIFETIME WARRANTY DOUBLE WALL CONNECTOR PIPE

The warranty:

The manufacturer's warranty applies only to the original purchaser and is not transferable. Subject to the conditions and exclusions set forth below, the manufacturer warrants that its products will be free from manufacturing if properly installed. This warranty only covers replacement of defective double wall connector pipe components in a residential installation. This warranty is void if the double wall connector pipe is used in a different application than what it is designed for. This limited **warranty** is the sole and exclusive remedy, offered in lieu of all **other warranties**, expressed or implied.

Warranty conditions:

The warranty of the double wall connector pipe and its components are subject to the following conditions:

- 1) Brand new products with proof of purchase only;
- 2) Products must have been purchased from an authorized *SBI* dealer;
- 3) Installation in accordance with the instructions supplied with this product and all local and national building codes;
- 4) Normal use with a residential wood appliance that has been certified by an accredited laboratory: wood fireplace, wood stove, wood furnace or wood boiler;
- 5) The double wall connector pipe is designed to operate at a maximum continuous temperature of 650 degrees Celsius (1,200 degrees Fahrenheit) or less;
- 6) The double wall connector pipe system must be cleaned and inspected on an annual basis by a chimney professional at intervals of no more than 12 months each, starting at the date of purchase and as long as the warranty period applies. Receipts verifying that maintenance was performed must be kept;
- 7) Products under this warranty must have been produced after the revision date indicated on the cover page of this document;
- 8) The chimney must have a cap installed;
- 9) Parts or components from other manufacturers are not covered by this warranty.

Warranty application in the case of a replacement:

	Parts	Labour
1 to 10 years¹	100% (100% of the purchase price at the time of the replacement)	N/A
11 to 15 years¹	50% (a 50% rebate applies to the purchase price at the time of the replacement)	N/A
16+ years¹	25% (a 25% rebate applies to the purchase price at the time of the replacement)	N/A

¹ From the date of purchase.

The manufacturer may, at its discretion, fully discharge all obligations with respect to this warranty by refunding the wholesale price of any warranted but defective parts or supply any replacement parts under warranty without any charge.

Warranty exclusions:

This warranty does not cover:

- 1) Labour and installation costs;
- 2) Products that have been altered, modified or repaired since shipment from factory;
- 3) Products that have been moved from their original installation site;
- 4) Damage (to products, appliances or structure) caused by misuse, abuse, improper installation, lack of maintenance, improper inspection or any other negligence;
- 5) This warranty does not cover incidental or collateral damages caused by smoke, fire, flood, strong winds, “acts of God”, or any other contingency beyond the manufacturer’s control;
- 6) Use of improper chimney cleaners or any improper solvents/chemicals will void all applicable warranties;
- 7) Does not cover any solid fuel other than wood;
- 8) Damage resulting from the use of driftwood, pressure-treated lumber, wood containing salt, chemicals, or any prohibited material will void all applicable warranties.

Claim process:

Shall your unit or any component be defective, contact immediately your *SBI* dealer. Prior to your call, make sure that you have the following information necessary for your warranty claim treatment:

- Your name, address and telephone number;
- Model name as indicated on the certification label or instruction sheets;
- Original invoice and dealer’s name;
- Nature of the defect and any relevant information.

Before shipping your unit or defective component to the manufacturer, you must first obtain a return authorization number. Supporting documents or digital pictures may be required to support the claim. Any merchandise shipped to the manufacturer without authorization will be refused automatically and returned to sender.

Manufactured by:

Stove Builder International Inc.
250, rue de Copenhague, St-Augustin-de-Desmaures
(Quebec) Canada G3A 2H3
Tel: (418) 878-3040 Fax: (418) 878-3001